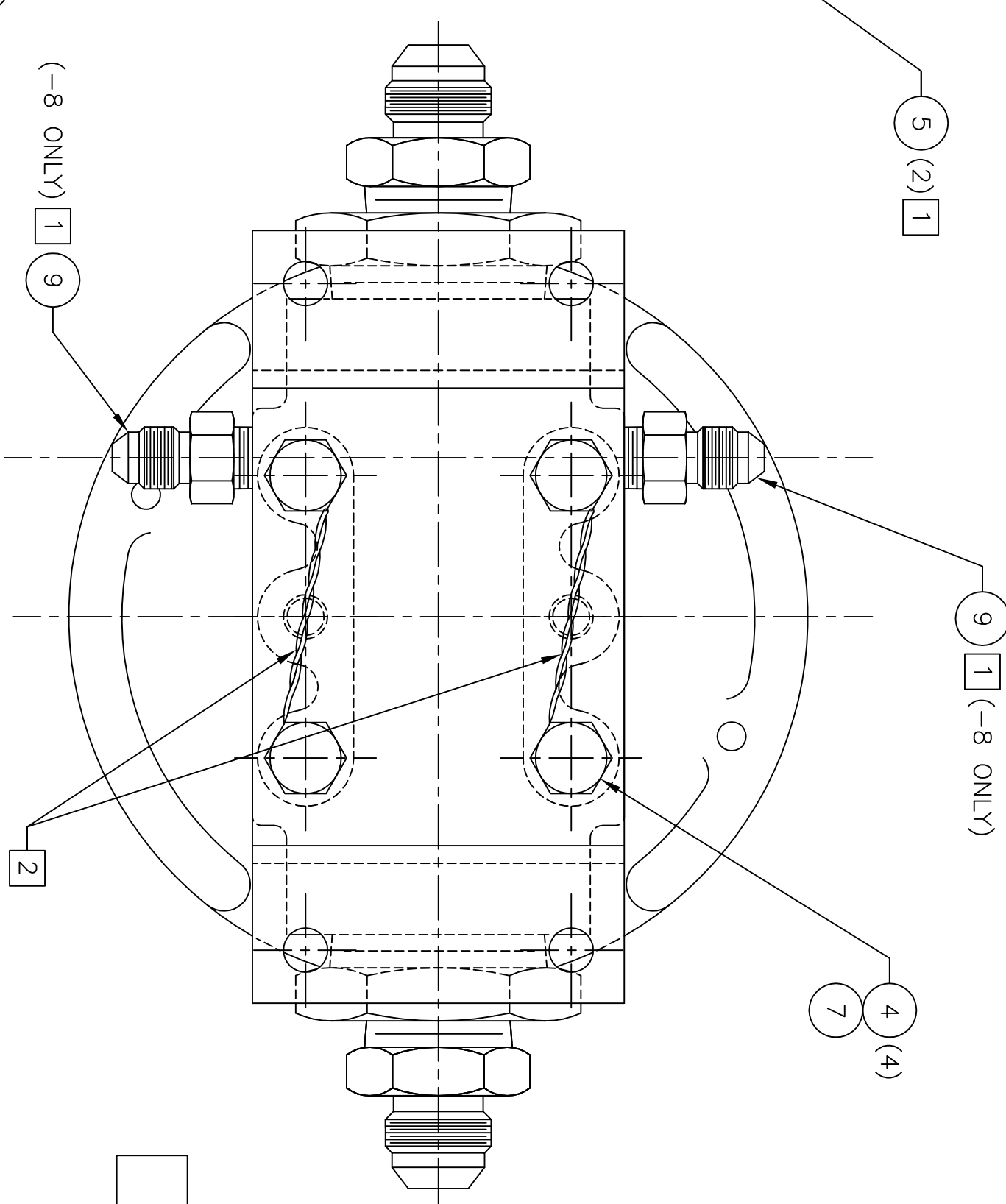
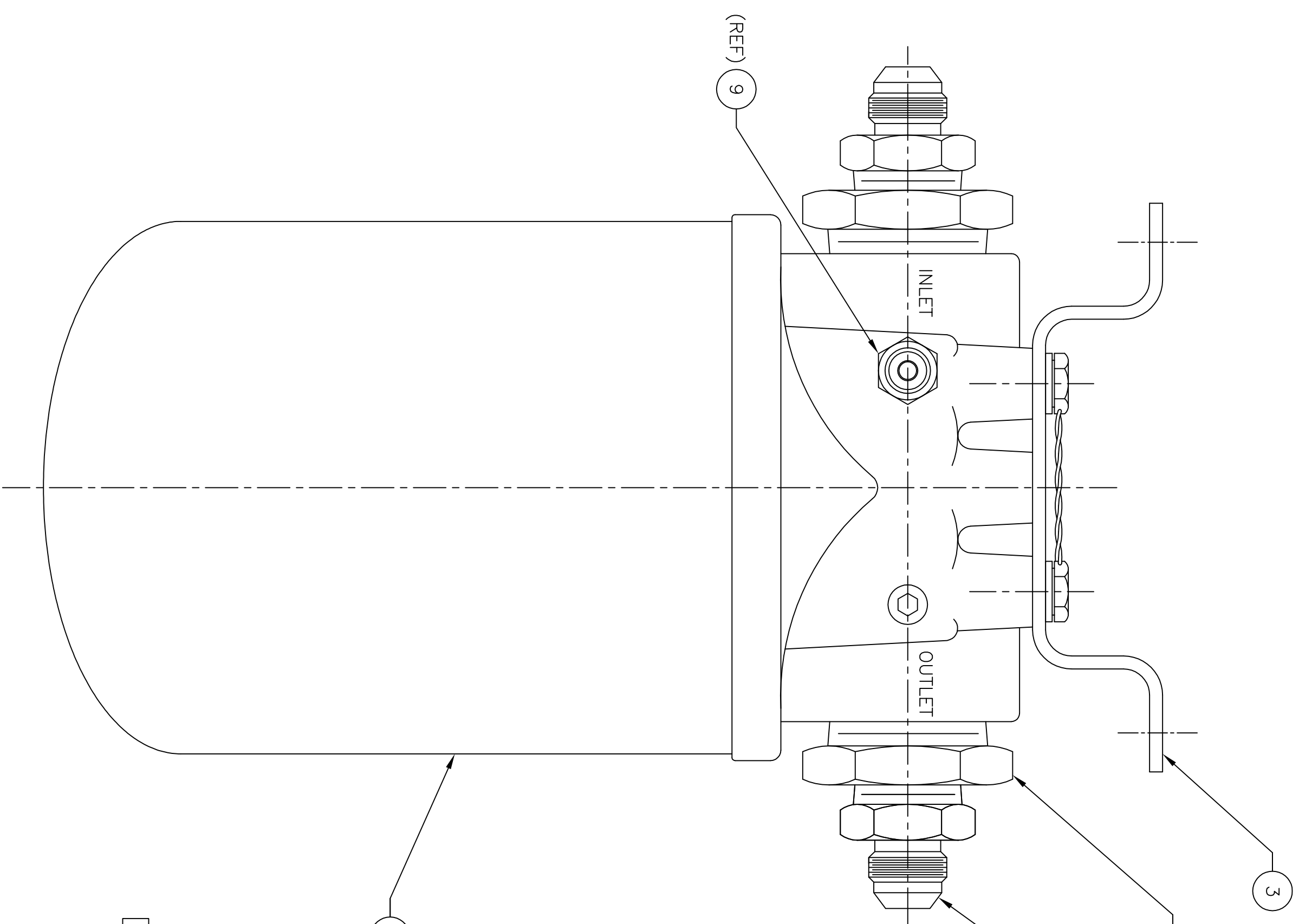


[1] OK TO USE PARTS MADE	[4] NOW SHOP PRACTICE	REF	DATE	BY	CHK
[2] PARTS MAY BE REWORKED	[5] SCRAP EXISTING PARTS				
[3] RECORD CHANGE NOTED					
LETTER	EFFECTIVITY	CHANGE			



83230

REV

- NOTE
1. INSTALL FITTINGS WITH TEFLON TAPE.
  2. SAFETY HEADS WITH MS20995C32 SAFETY WIRE.
  3. THE -1 ASSEMBLY IS USED ON THE GEN2 FRDS.
  4. THE -8 ASSEMBLY IS USED ON THE GEN1 FRDS WITH THE 82069-1 MANIFOLD INSTALLATION.

ITEM	PART NUMBER	NO. REQD.	PART NUMBER	DESCRIPTION	SIZE	SPEC.	ZONE	NO. REQD.	NEXT ASSEMBLY	MODEL
1	AN816-4	2	AN960-516	ADAPTER				1	80577	802F
2	83230-8	1	AN960-516	ADAPTER				1	80577	802F
3		2	AN960-516	WASHER						
4		4	C3109x20x12	WASHER						
5		2	C5205x8x12	BUSHING						
6		2	C5205x8x12	CONNECTOR						
7		4	5/16-18x3/4	BOLT (DRILLED HEAD)(MCMASTER-CARR 90121A581)						
8		1	83229-1	BRACKET						
9		1	50A110BN15BBH	FILTER (PARKER) (GRAINGER STOCK #4ZC89)				1	80577	802F
10		1	83230-1	FILTER ASSEMBLY				1	80577	1002F

APPROVED	ERC	DATE	8-17-06	CHECKED	LS
DRAWN	ERC	EFFECTIVITY	1002-0001		
REMOVE ALL BURRS AND SHARP CORNERS					
FINISH	NONE				
HEAT TREAT					
ACT. WT.	CALC. WT.				

TITLE  
 FILTER ASSEMBLY-  
 HYDRAULIC SYSTEM

DRAWING NUMBER  
 83230

ANGLES	± 1/16	DRILLED HOLES	± 0.002
FRACTIONS	± 1/32	± 0.001	
ACT. WT.	± 0.01	± 0.001	
CALC. WT.	± 0.01	± 0.001	

INSTALL RIVETS PER PS129 EXCEPT AS NOTED  
 INSTALL BOLTS PER PS130 EXCEPT AS NOTED  
 TOLERANCES EXCEPT AS NOTED

WELD	
FINISH	NONE
HEAT TREAT	
ACT. WT.	CALC. WT.

SCALE  
 1/1

SIZE  
 C

WICHITA FALLS, TEXAS

SNOW ENGINEERING CO.